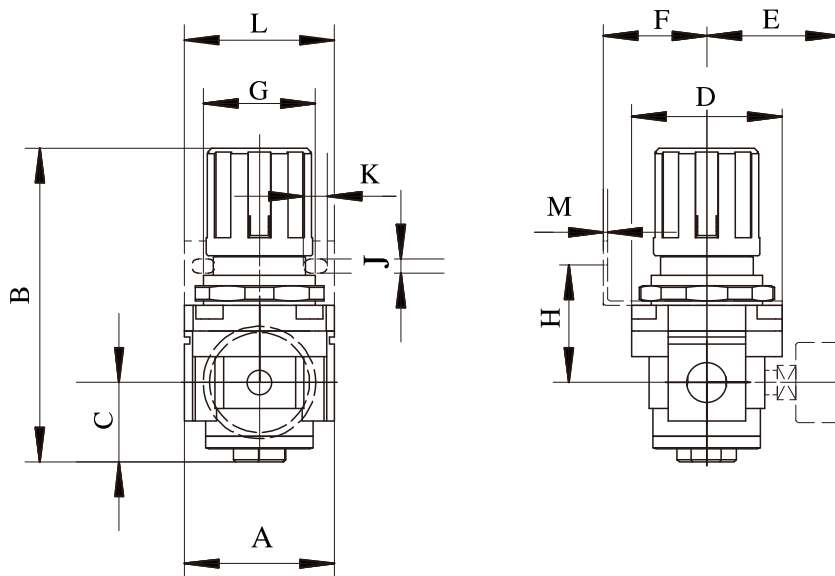


KAR1000~5000系列減壓閥 / KAR1000~5000 Series Regulator

外型尺寸圖 / Overall Dimension Drawing(mm)



尺寸表/Dimension Sheet

型號/Model	口徑/Port Size G	A	B	C	D	E	F	G	H	J	K	L	M	N
KAR1000	M5	25	61.5	11	25	26	25	28	30	4.5	6.5	40	2	20.5
KAR2000	1/8-1/4	40	95	17	40	56.8	30	34	44	5.4	15.4	55	2.3	33.5
KAR2500	1/4-3/8	53	102.5	25	48	60.8	30	34	44	5.4	15.4	55	2.3	33.5
KAR3000	1/4-3/8	53	127.5	35	53	60.8	39	40	46	6.5	8	53	2.3	42.5
KAR4000	3/8-1/2	70	149.5	37.5	70	65.5	49.2	54	54	8.5	10.5	70	2.3	52.5
KAR4000-06	3/4	75	154	40.5	70	69.5	49.2	54	55.5	8.5	10.5	70	2.3	52.5
KAR5000	3/4-1	90	168	48	90	75.5	49.2	54	62	8.5	10.5	70	2.3	52.5