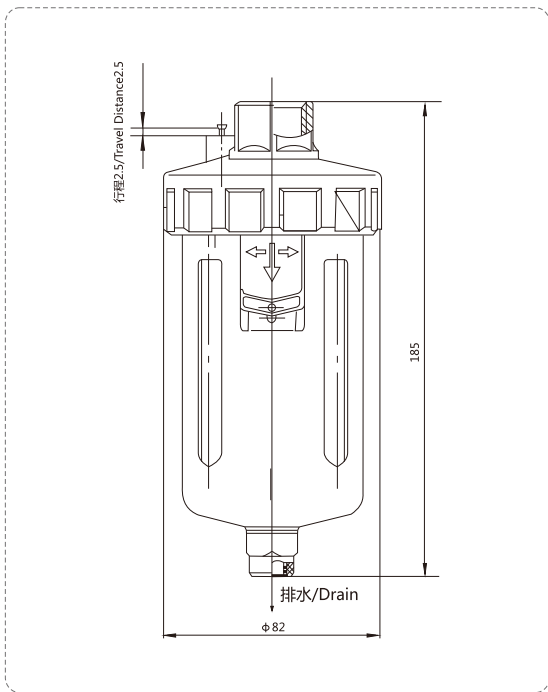


AD402系列自動排水器 / AD402 Series Auto Drain

外型尺寸圖 / Overall Dimension Drawing(mm)



規格 / Specification

| 型號 / Model | AD402-02 | AD402-03 | AD402-04 |
|---|----------|------------------------|----------|
| 保證耐壓力 / Ensured Pressure Resistance | | 1.5Mpa | |
| 動作壓力 / Operating Pressure | | 0.15~1.00MPa | |
| 環境及液體溫度 / Ambient and Fluid Temperature | | 5~60°C | |
| 接管口徑 / Port Size | G1/4" | G3/8" | G1/2" |
| 排水口徑 / Drain Bore | | G1/8" | |
| 排水狀態 / Drain Status | | 長開型 / Normal Open Type | |
| 工作介質 / Working Medium | | 壓縮空氣 / Compressed Air | |