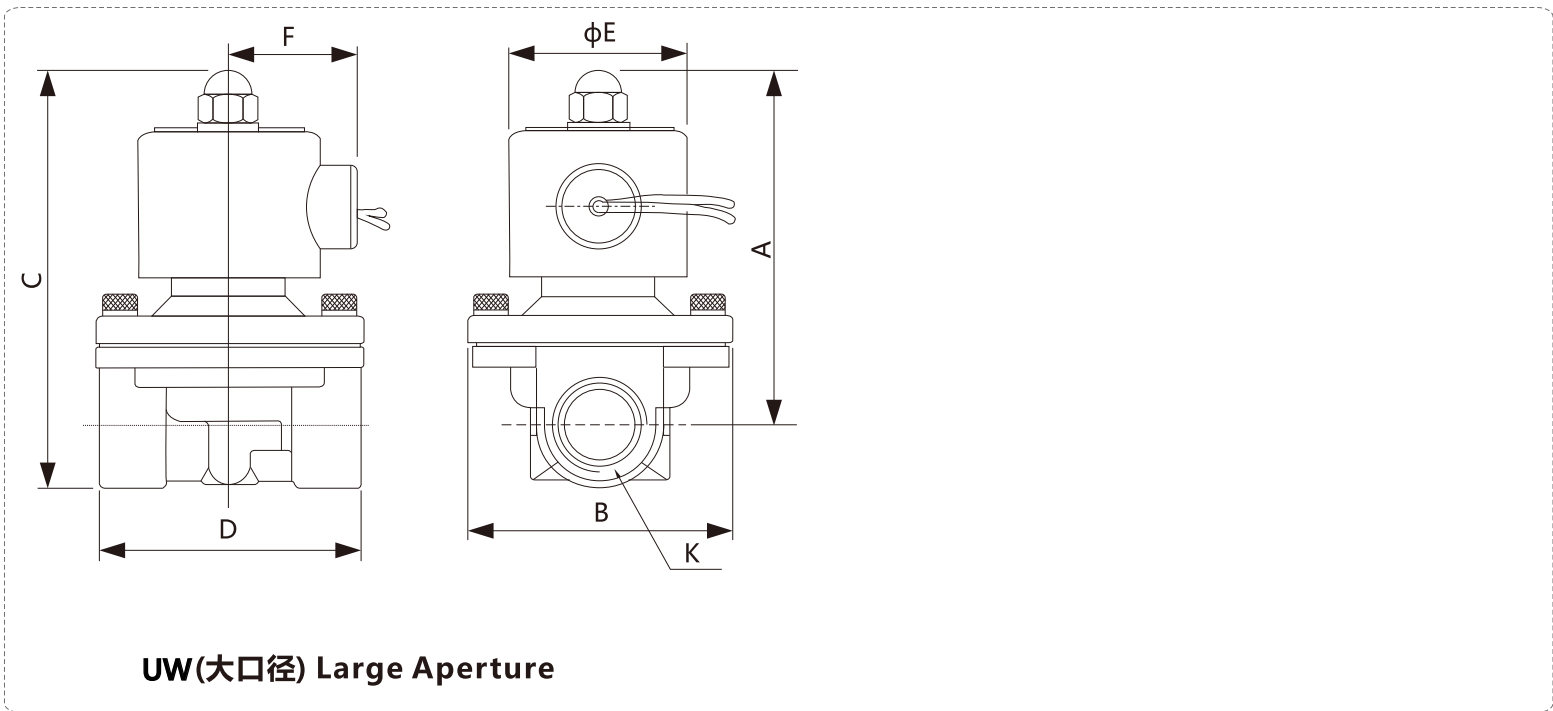


UW(大口徑)系列二口二位直動式電磁閥 / UW(Large Aperture)Series Solenoid Valve

外型尺寸圖 / Overall Dimension Drawing(mm)



尺寸表/Dimension Sheet

型号/Model	A	B	C	D	E	F	K
UW 160-10	101.5	57	117	69	50	36	G3/8"
UW 160-15	101.5	57	117	69	50	36	G1/2"
UW 200-20	107	57	123.5	73	50	36	G3/4"
UW 250-25	111.5	73.5	134.5	99	50	36	G1"
UW 350-35	142	95	172	123	70.5	56	G1-1/4"
UW 400-40	142	95	172	123	70.5	56	G1-1/2"
UW 500-50	172	123	209	168	70.5	56	G2"